



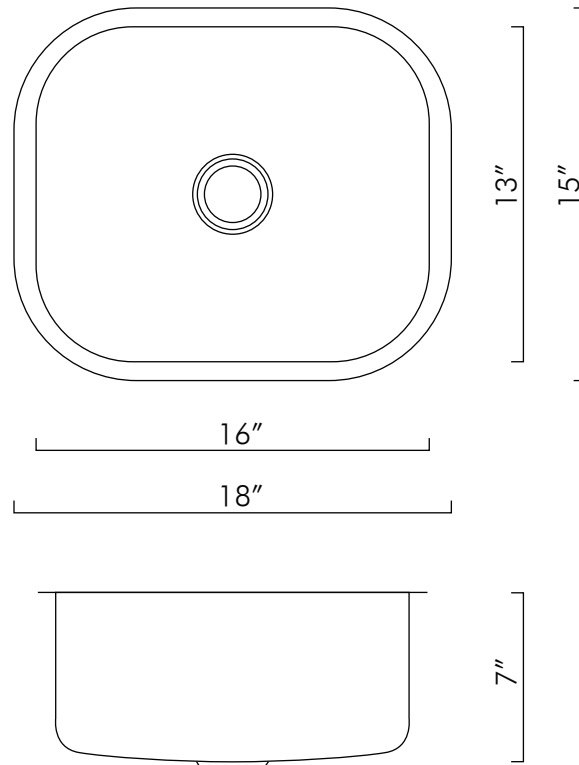
DAX-1815



UNDERMOUNT KITCHEN SINKS **SERIES**



www.daxib.com



FEATURES

- Pressed sink
- Undermount
- 304 Stainless Steel
- 18 gauge
- Brushed Stainless Steel
- Size W 18" x H 15" x D 7"
- Standard 3-1/2" drain opening
- Undercoated and sound pads
- Mounting clips and cutting template

ACCESSORIES

- Bottom grid not included (available)
- Stainless steel basket strainer not included (available)
- Stainless steel standard strainer not included (available)
- Dish rack not included (available)
- Grey silicone dish rack not included (available)






KITCHEN SINK DAX-1815

| MODEL | DAX-1815 |
|----------------------------|---------------------|
| INNER BASIN WIDTH (in) | 16" |
| INNER BASIN HEIGHT (in) | 13" |
| HEIGHT | 15" |
| DEPTH | 7" |
| WIDTH | 18" |
| BOTTOM GRIDS INCLUDED | No |
| BASIN SPLIT | No |
| BASKET STRAINER INCLUDED | No |
| COLANDER INCLUDED | No |
| DRAIN CONNECTION | 3-1/2" |
| DRAIN PLACEMENT | Center |
| FARMHOUSE | No |
| FAUCET HOLES | No |
| GAUGE | 18 |
| INSTALLATION TYPE | Undermount |
| MATERIAL | 304 Stainless Steel |
| MINIMUM CABINET SIZE | X |
| MOUNTING HARDWARE INCLUDED | Yes |
| NUMBER OF BASINS | 1 |
| SINK SHAPE | Rectangular |
| SOUND DAMPENING | Yes |
| STAINLESS STEEL GRADE | 304 |
| UPC APPROVED | Yes |
| SINK FINISH TYPE | Brushed |

For parts or sale requirements please contact our customer service department:

 CS@daxib.com

 1 888 685 8236

